

SD Series 31.. + 30.. housings are split plummer blocks for spherical roller bearings with adapter sleeves. They are fitted with labyrinth seals. Housings for shaft ends are supplied with an end cover in grey cast iron.

Material

SD Plummer Block Housings are manufactured as standard, from Grey Cast Iron GG25. Housings from Spheroidal Cast Iron GGG40 or Cast Steel GS45 are available for bearing applications requiring higher loading.

Loading

SD Plummer Block Housings are designed for loads applied vertically to the bridging surface. In these instances the permissible load is determined by the load rating of fitted bearing. Should loads be applied at other angles, checks should be carried out to determine whether the housing connecting bolts and the mounting bolts are still suitable.

Loading of the housings

If these housings are used at various directions the guide values for breaking loads will change. A factor of about 1.8 x is applied to housings SD from material GGG 40 and GS 45.

Loading of the connecting bolts

Bolts to strength class 8.8 are supplied as standard for joining the housing upper and lower parts. Maximum values for radial loadings applied at various loading directions can be obtained from the adjacent table.

Torque

The fixing and connecting bolts must be tightened in accordance with guidelines. Values for relative torques can be obtained from the adjacent table.

Seals

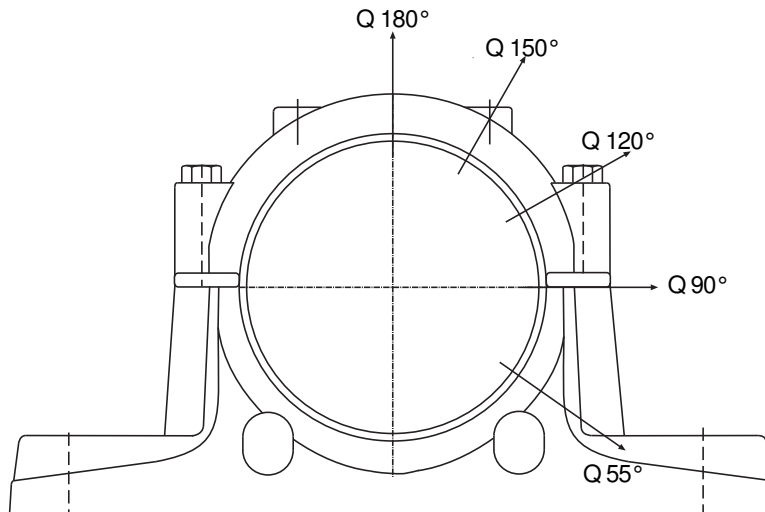
To allow fitting of the labyrinth seal on the shaft, Perbunan cord is laid between the shaft and labyrinth seal.

This also functions as a seal and allows minor axial movement of the labyrinth seal during heat expansion of the shaft. If the shaft terminates in the housing, an end cover in grey cast iron is supplied instead of the labyrinth seal.

Housing series SD 5... are supplied as standard, with double felt seals (on request also with labyrinth seals).

For grease lubrication, SD housings have two grease fittings on the top of the housing. One in center position of the bearing outer ring and one on side. The holes are plugged, two grease nipples R1/4" are included to the delivery.

Breaking loads for SD 31.. - Plummer Block Housings



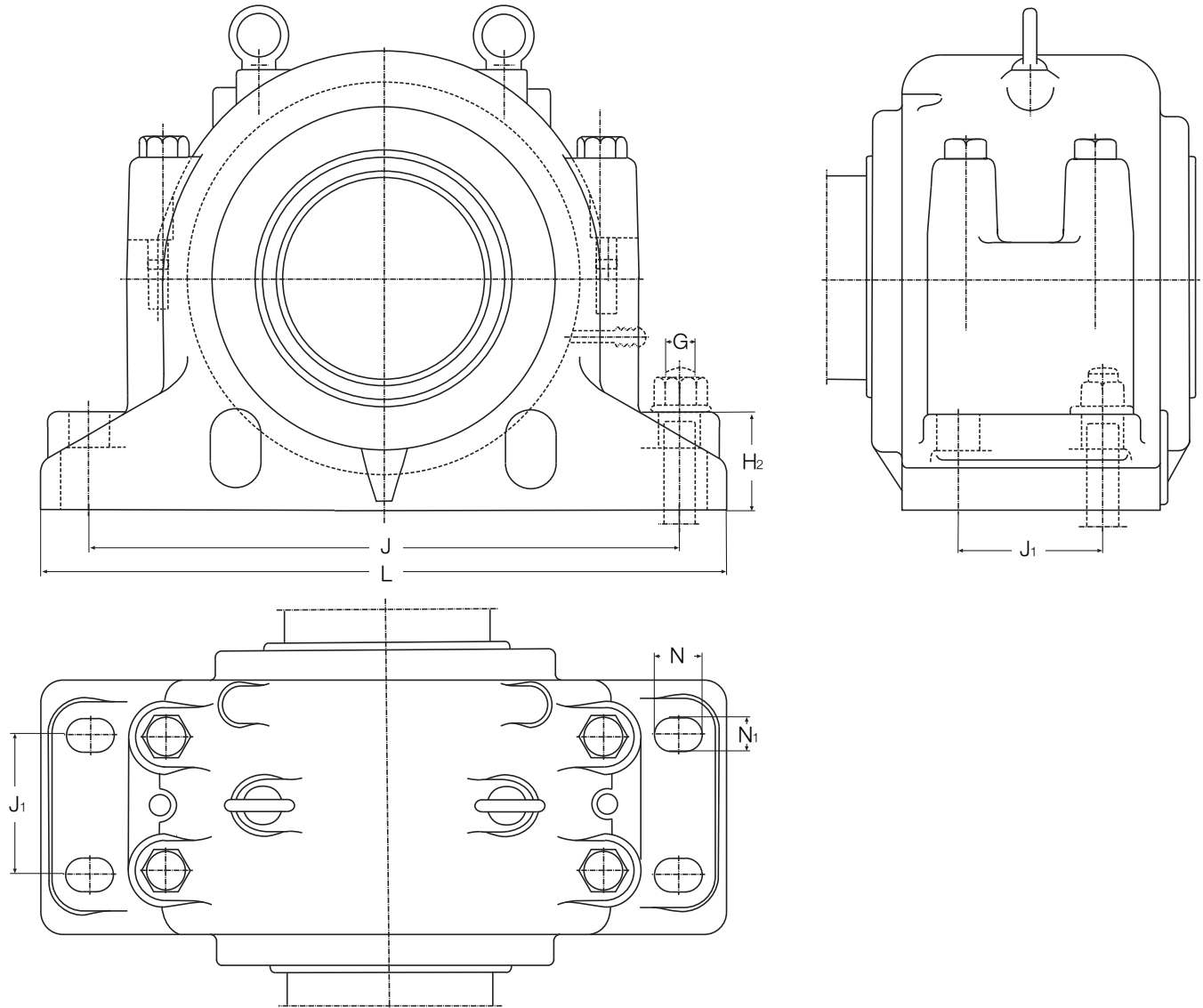
Housing Ref No	Breaking loads kN					Connecting bolts Torque		Maximum load kN		
	Q 180°	Q 150°	Q 120°	Q 90°	Q 55°	DIN 931 8.8	Nm	Q 180°	Q 150°	Q 120°
SD3134 TS	850	680	760	1000	2100	M24 x 140	350	380	440	760
SD3136 TS	950	760	850	1150	2400	M24 x 140	350	380	440	760
SD3138 TS	1100	880	1000	1300	2700	M24 x 150	350	380	440	760
SD3140 TS	1300	1000	1100	1600	3200	M24 x 150	350	380	440	760
SD3144 TS	1600	1300	1400	1900	4000	M24 x 150	350	380	440	760
SD3148 TS	1700	1400	1500	2000	4200	M30 x 180	400	620	720	1260
SD3152 TS	1900	1500	1700	2300	4700	M30 x 180	400	620	720	1260
SD3156 TS	2000	1600	1800	2400	5000	M30 x 200	400	620	720	1260
SD3160 TS	2400	1900	2200	2900	6000	M30 x 200	400	620	720	1260
SD3164 TS	2800	2200	2500	3400	7000	M30 x 200	400	620	720	1260

* for other seals see on page 7

Plummer Block Housings (split)

Series SD 31..TS

For spherical roller bearings with adapter sleeve

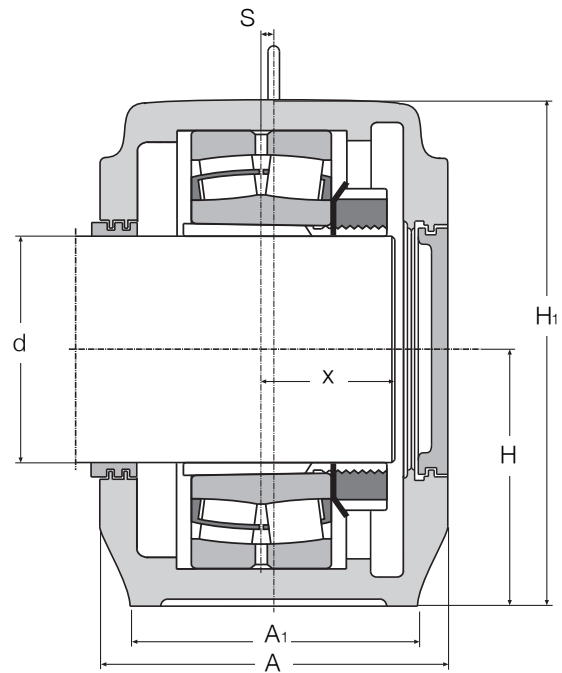
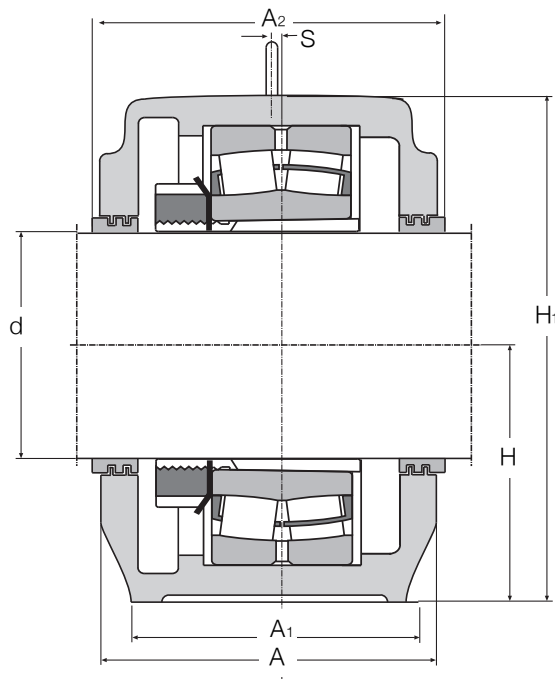


Housing RefNo	Weight kg	d	A	A ₁	A ₂	H ₁	H	H ₂	J	J ₁	L	G	N ₁	N	X	S
SD 3134 TS	65,0	150	230	180	240	335	170	70	430	100	510	24	28	34	78	14
SD 3136 TS	75,0	160	240	190	250	355	180	75	450	110	530	24	28	34	83	15
SD 3138 TS	95,0	170	260	210	270	375	190	80	480	120	560	24	28	34	88	10
SD 3140 TS	120,0	180	280	230	290	410	210	85	510	130	610	30	35	42	93	10
SD 3144 TS	135,0	200	290	240	300	435	220	90	540	140	640	30	35	42	100	12
SD 3148 TS	180,0	220	310	260	320	475	240	95	600	150	700	30	35	42	106	12
SD 3152 TS	215,0	240	320	280	330	515	260	100	650	160	770	36	42	50	116	13
SD 3156 TS	250,0	260	320	280	330	550	280	105	670	160	790	36	42	50	119	16
SD 3160 TS	300,0	280	350	310	360	590	300	110	710	190	830	36	42	50	125	22
SD 3164 TS	330,0	300	370	330	380	630	320	115	750	200	880	36	42	50	135	23
SD 3168 TS	380,0	320	400	360	410	675	340	120	810	220	950	40	42	52	135	23
SD 3172 TS	420,0	340	400	360	410	695	350	120	840	220	1000	40	42	52	165	30
SD 3176 TS	490,0	360	400	360	410	715	360	120	870	220	1040	40	42	52	175	30
SD 3180 TS	570,0	380	430	390	440	775	380	125	950	240	1120	46	48	60	190	30
SD 3184 TS	610,0	400	460	420	470	810	410	130	1000	260	1170	46	48	60	210	35

Plummer Block Housings (split)

Series SD 31..TS

For spherical roller bearings with adapter sleeve

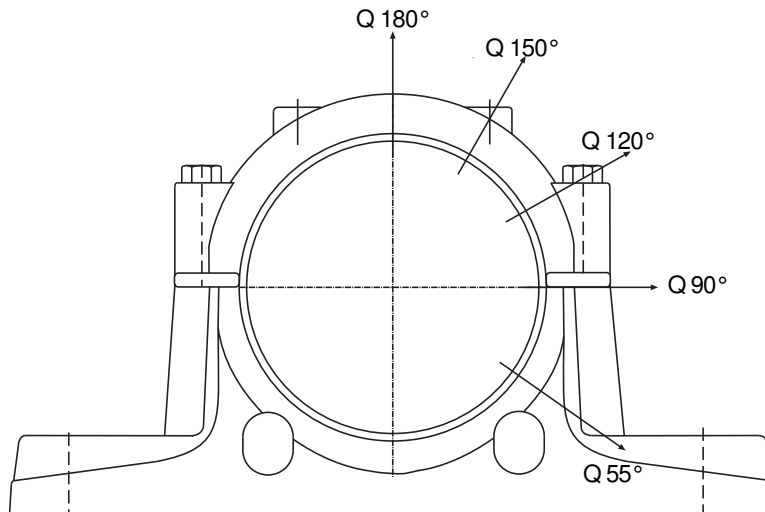


** on request

Housing Ref No	Labyrinth seal	Bearing with adapter sleeve	Matching fixing rings	Qty	Cord Ø x Length	Grease Quantity First fill kg
SD 3134	TS 34	23134 K H 3134	FR 10/280	2	4 x 530	1,8
SD 3136	TS 36	23136 K H 3136	FR 10/300	2	4 x 560	2,2
SD 3138	TS 38	23138 K H 3138	FR 10/320	2	4 x 590	2,9
SD 3140	TS 40	23140 K H 3140	FR 10/340	2	4 x 620	3,8
SD 3144	TS 44	23144 K H 3144	FR 10/370	2	4 x 680	4,4
SD 3148	TS 48	23148 K H 3148	FR 10/400	2	4 x 750	5,5
SD 3152	TS 52	23152 K H 3152	FR 10/440	2	4 x 810	7,0
SD 3156	TS 56	23156 K H 3156	FR 10/460	2	4 x 870	7,4
SD 3160	TS 60	23160 K H 3160	FR 10/500	2	4 x 940	10,5
SD 3164	TS 64	23164 K H 3164	FR 10/540	2	4 x 1000	13,0
SD 3168	TS 68	23168 K H 3168	FR 10/580	2	4 x 1050	**
SD 3172	TS 72	23172 K H 3172	FR 10/600	2	4 x 1090	**
SD 3176	TS 76	23176 K H 3176	FR 10/620	2	4 x 1150	**
SD 3180	TS 80	23180 K H 3180	FR 10/650	2	4 x 1220	**
SD 3184	TS 84	23184 K H 3184	FR 10/700	2	4 x 1280	**

* for other seals see on page 7





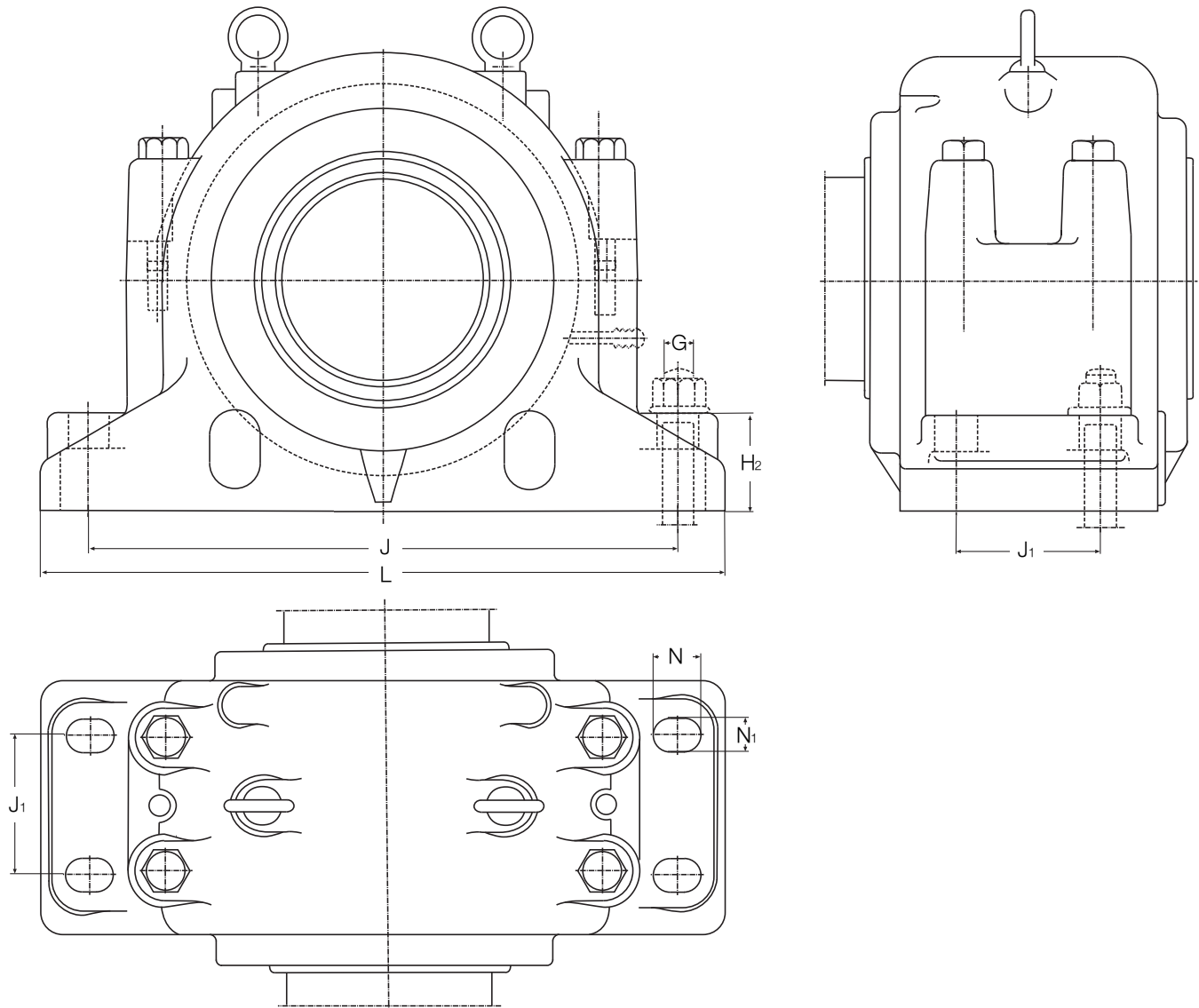
Housing Ref No	Breaking loads kN					Connecting bolts Torque		Maximum load kN		
	Q 180°	Q 150°	Q 120°	Q 90°	Q 55°	DIN 931 8.8	Nm	F180°	F150°	F120°
SD3036 TS	850	680	760	1000	2100	M 24 x 140	350	380	440	760
SD3038 TS	950	760	850	1150	2400	M 24 x 140	350	380	440	760
SD3040 TS	1100	880	1000	1300	2700	M 24 x 150	350	380	440	760
SD3044 TS	1300	1000	1100	1600	3200	M 24 x 150	350	380	440	760
SD3048 TS	1600	1300	1400	1900	4000	M 24 x 150	350	380	440	760
SD3052 TS	1700	1400	1500	2000	4200	M 30 x 180	400	620	720	1260
SD3056 TS	1900	1500	1700	2300	4700	M 30 x 200	400	620	720	1260
SD3060 TS	2000	1600	1800	2400	5000	M 30 x 200	400	620	720	1260
SD3064 TS	2400	1900	2200	2900	6000	M 30 x 200	400	620	720	1260

* for other seals see on page 7

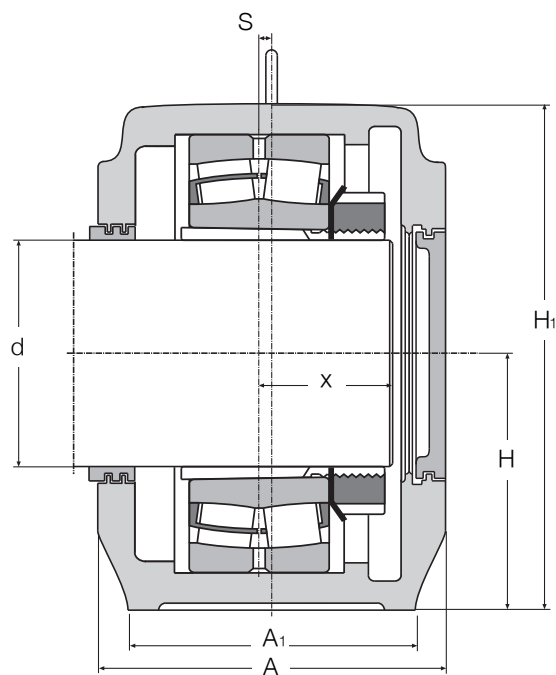
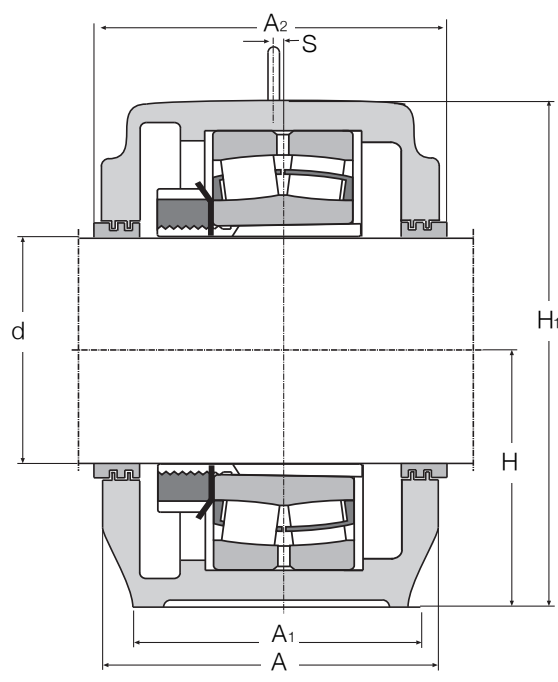
Plummer Block Housings (split)

Series SD30..TS

For spherical roller bearings with adapter sleeve



Housing RefNo	Weight kg	d	A	A ₁	A ₂	H _i	H	H ₂	J	J ₁	L	G	N ₁	N	X	S
SD 3036 TS	70	160	230	180	240	335	170	70	430	100	510	24	28	34	78	14
SD 3038 TS	78	170	240	190	250	355	180	75	450	110	530	24	28	34	83	15
SD 3040 TS	95	180	260	210	270	375	190	80	480	120	560	24	28	34	88	10
SD 3044 TS	125	200	280	230	290	410	210	85	510	130	610	30	35	42	93	10
SD 3048 TS	140	220	290	240	300	435	220	90	540	140	640	30	35	42	100	12
SD 3052 TS	185	240	310	260	320	475	240	95	600	150	700	30	35	42	106	12
SD 3056 TS	220	260	320	280	330	515	260	100	650	160	770	36	42	50	116	13
SD 3060 TS	250	280	320	280	330	550	280	105	670	160	790	36	42	50	119	16
SD 3064 TS	300	300	350	310	360	590	300	110	710	190	830	36	42	50	125	22
SD 3068 TS	340	320	370	330	380	630	320	115	750	200	880	36	42	50	135	23
SD 3072 TS	340	340	370	330	380	630	320	115	750	200	880	36	42	50	135	23
SD 3076 TS	410	360	400	360	410	675	340	120	810	220	950	36	42	50	140	24
SD 3080 TS	420	380	400	360	410	695	350	120	840	220	1000	40	42	52	160	30
SD 3084 TS	490	400	400	360	410	715	360	120	870	220	1040	40	42	52	160	30
SD 3088 TS	570	410	430	390	440	755	380	125	950	240	1120	46	48	60	170	30



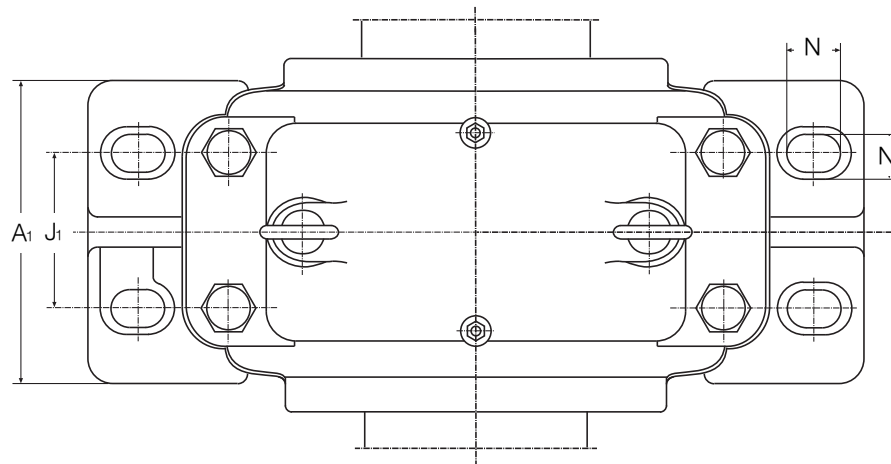
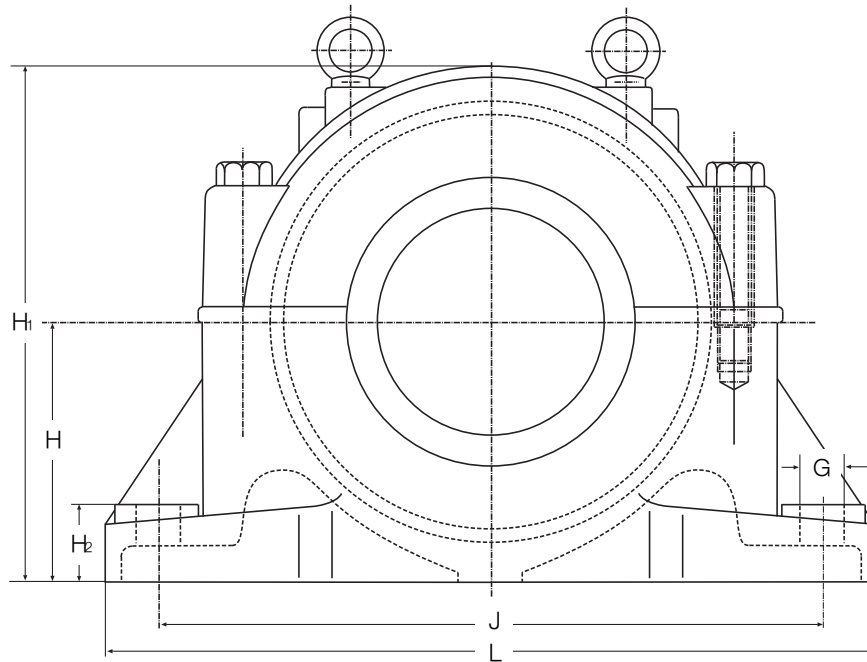
Housing Ref No	Labyrinth seal	Bearing with adapter sleeve	Matching fixing rings	Qty	Cord Ø x Length
SD 3036	TS 36	23036 K H 3036	FR 17/280	2	4 x 560
SD 3038	TS 38	23038 K H 3038	FR 10/290	4	4 x 590
SD 3040	TS 40	23040 K H 3040	FR 10/310	4	4 x 620
SD 3044	TS 44	23044 K H 3044	FR 10/340	4	4 x 680
SD 3048	TS 48	23048 K H 3048	FR 12/360	4	4 x 750
SD 3052	TS 52	23052 K H 3052	FR 22/400	2	4 x 810
SD 3056	TS 56	23056 K H 3056	FR 10/420	6	4 x 870
SD 3060	TS 60	23060 K H 3060	FR 25/460	2	4 x 940
SD 3064	TS 64	23064 K H 3064	FR 10/480	6	4 x 1000
SD 3068	TS 68	23068 K H 3036	FR 16/520	4	4 x 1050
SD 3072	TS 72	23072 K H 3072	FR 16/540	4	4 x 1120
SD 3076	TS 76	23076 K H3076	FR 16/560	4	4 x 1180
SD 3080	TS 80	23080 K H 3080	FR 16/600	4	4 x 1250
SD 3084	TS 84	23084 K H 3084	FR 16/620	4	4 x 1310
SD 3088	TS 88	23088 K H 3088	FR 16/650	4	4 x 1350

* for other seals see on page 7

Plummer Block Housings (split)



Series SD 5.. from Grey Cast Iron GG25
For spherical roller bearings with adapter sleeve

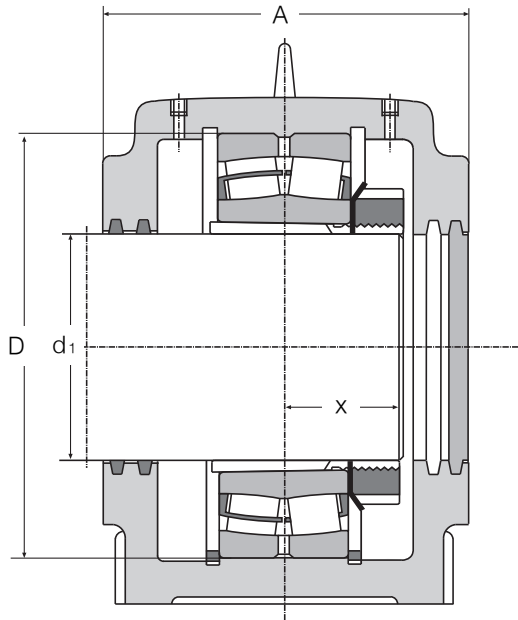


Housing Ref No	Weight kg	d ₁	H	H ₁	A	L	A ₁ mm	J ₁	H ₂	J	N ₁	N	G	D	X
SD 530	76	135	160	320	240	550	220	120	55	450	33	45	M 27	270	70
SD 532	87	140	170	340	250	580	230	130	55	480	33	45	M 27	290	75
SD 534	105	150	180	360	270	620	250	140	60	510	36	50	M 30	310	80
SD 536	118	160	190	380	280	650	260	150	60	540	36	50	M 30	320	80
SD 538	136	170	200	400	290	700	280	160	65	570	40	55	M 33	340	85
SD 540	170	180	210	420	300	740	290	170	65	610	40	55	M 33	360	90
SD 544	216	200	240	475	330	820	320	190	70	680	42	62	M 36	400	95
SD 548	258	220	260	515	340	880	330	200	85	740	45	65	M 39	440	100
SD 552	323	240	280	555	370	940	360	210	85	790	45	65	M 39	480	110
SD 556	404	260	300	590	390	990	380	230	100	830	52	77	M 45	500	110
SD 560	480	280	325	640	410	1060	400	250	100	890	52	77	M 45	540	120
SD 564	605	300	355	690	440	1110	430	270	110	930	56	85	M 48	580	125

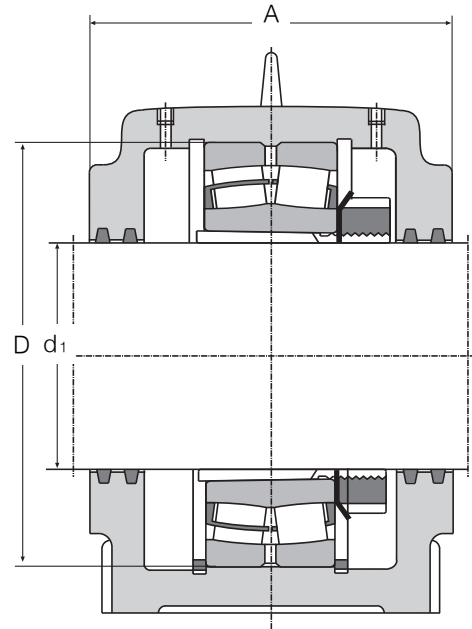
Plummer Block Housings (split)

Series SD 5.. from Grey Cast Iron GG25
For spherical roller bearings with adapter sleeve

Arrangement AL



Arrangement BL



Arrangement AF

Arrangement BF

Housing RefNo	Matching bearing with adapter sleeve		Matching fixing rings		Felt strip DIN 5419 Ref	Arrangement	
			Ref	Qty		A Qty	B Qty
SD 530	22230 K	H 3130	FR 10/270	2	16 x 12 x 250	4	8
SD 532	22232 K	H 3132	FR 10/290	2	16 x 12 x 260	4	8
SD 534	22234 K	H 3134	FR 10/310	2	16 x 12 x 275	4	8
SD 536	22236 K	H 3136	FR 10/320	2	16 x 12 x 290	4	8
SD 538	22238 K	H 3138	FR 10/340	2	16 x 12 x 305	4	8
SD 540	22240 K	H 3140	FR 10/360	2	16 x 12 x 320	4	8
SD 544	22244 K	H 3144	FR 10/400	2	16 x 12 x 350	4	8
SD 548	22248 K	H 3148	FR 10/440	2	16 x 12 x 380	4	8
SD 552	22252 K	H 3152	FR 10/480	2	16 x 12 x 415	4	8
SD 556	22256 K	H 3156	FR 10/500	2	16 x 12 x 445	4	8
SD 560	22260 K	H 3160	FR 10/540	2	16 x 12 x 480	4	8
SD 564	22264 K	H 3164	FR 10/580	2	16 x 12 x 510	4	8

* for other seals see on page 7